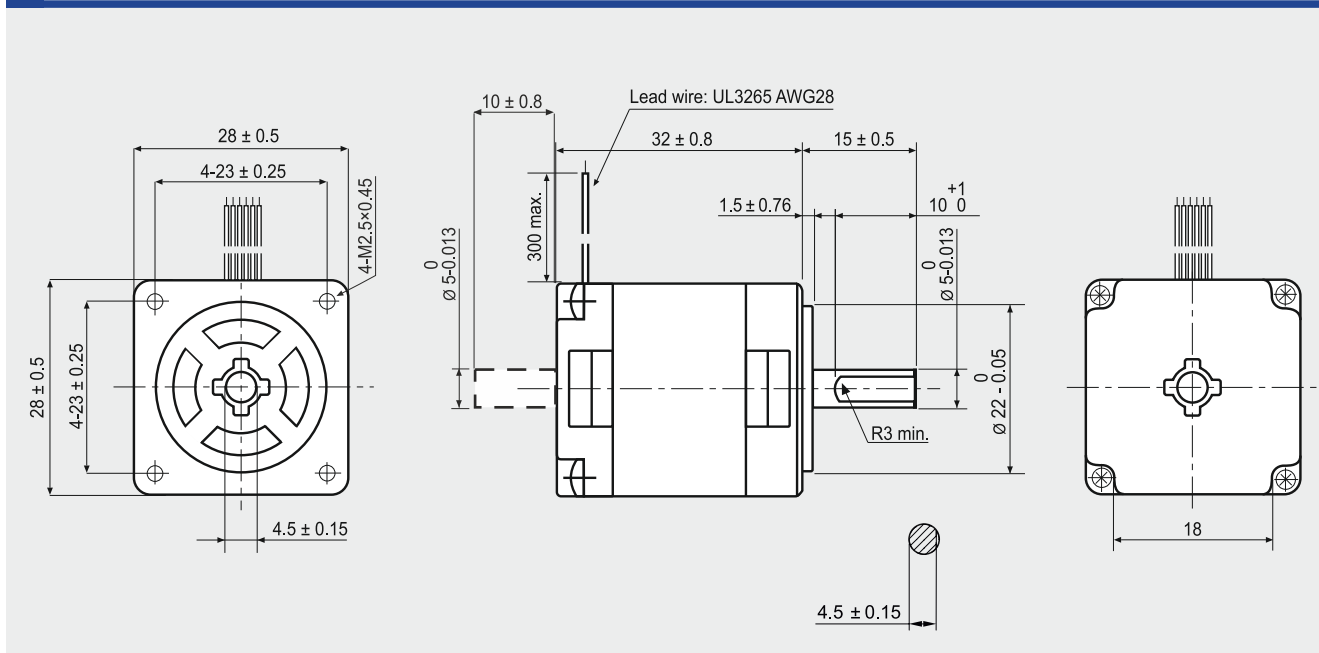


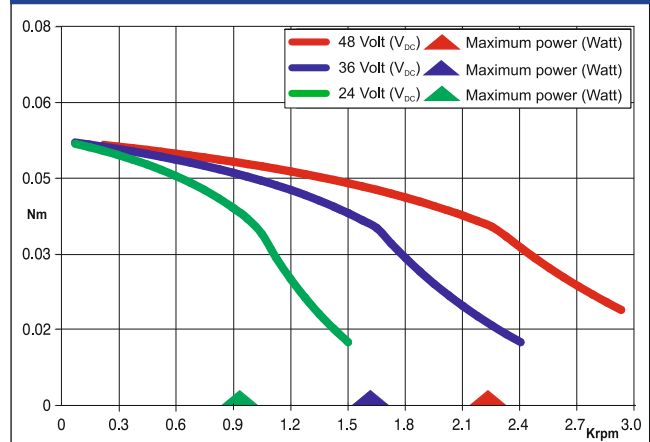
Dimensions (Unit:mm)



FEATURES

| MODEL | SH2281-5271 (SH2281-5231) | |
|--------------------------|--|--------------------|
| BASIC STEP ANGLE | 1.8° ± 0.09° | |
| BIPOLAR CURRENT | (Amp) | 0.7 ^(*) |
| UNIPOLAR CURRENT | (Amp) | 1.0 |
| RESISTANCE | (Ohm) | 2.85 |
| INDUCTANCE | (mH) | 1.0 |
| BIPOLAR HOLDING TORQUE | (Ncm) | 7 |
| UNIPOLAR HOLDING TORQUE | (Ncm) | 5.5 |
| ROTOR INERTIA | (Kgm ² x 10 ⁻⁷) | 10 |
| THEORETICAL ACCELERATION | (rad x sec. ⁻²) | 70000 |
| BACK E.M.F. | (V/Krpm) | 15 |
| MASS | (Kg) | 0.11 |
| LEADS CODE | IV | |

TORQUE/SPEED CURVE



(*)Bipolar series connection.

R.T.A. s.r.l. PAVIA (ITALY) SANYO DENKI CO., Ltd (JAPAN)



Suggested R.T.A. drive series: BSD, CSD, ADW, HGD, FLEX-DRIVE



R.T.A. s.r.l.
Via E. Mattei - Fraz- Divisa
27020 Marcignago (PV) (Italy)
T +39.0382.929.855
F +39.0382.929.150
www.rta.it

R.T.A. Deutschland GmbH
Bublitzter Strasse 34, 40599
Duesseldorf (Germany)
T +49.211.749.668.60
F +49.211.749.668.66
www.rta-deutschland.de

R.T.A. IBERICA
C/Generalitat 22, Local 1
08850 Gava - Barcelona (Spain)
T +34 936.388.805
F +34 936.334.595
www.rta-iberica.es

R.T.A. INDIA Pvt
Teerth Business Center 3rd Floor, Unit No. 7,
Block EL-15, MIDC Bhosari Pimpri-Chinchwad,
Pune 411026 (India)
Tel. +91 9422507445
www.rta-india.in