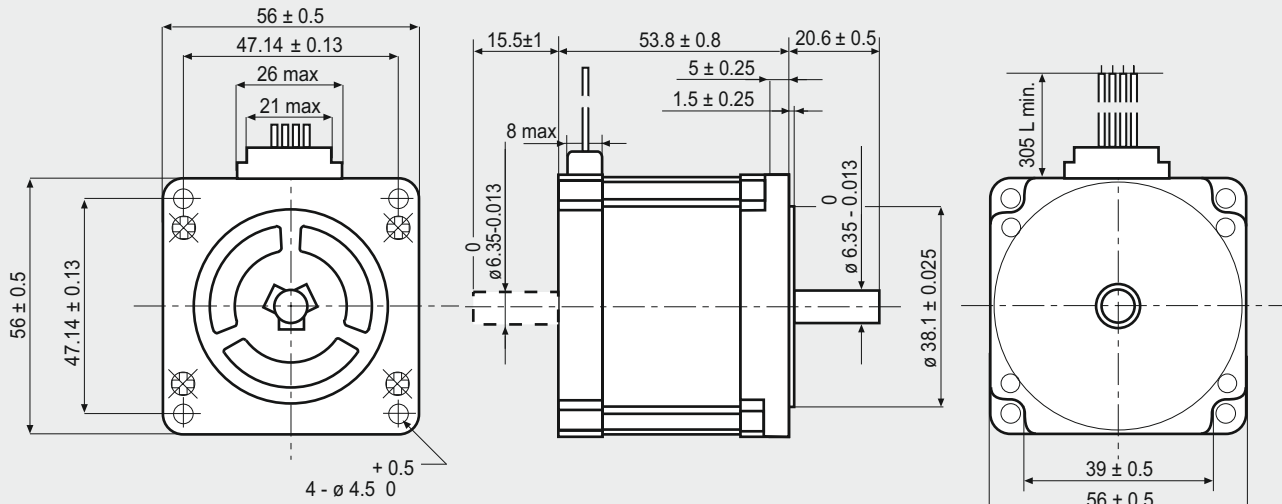


# 103-H7123-5040

SANYO DENKI  
SANMOTION

## Dimensions (Unit:mm)

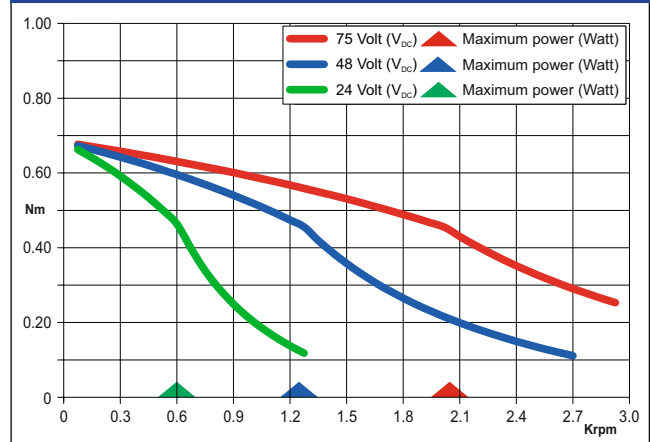


## FEATURES

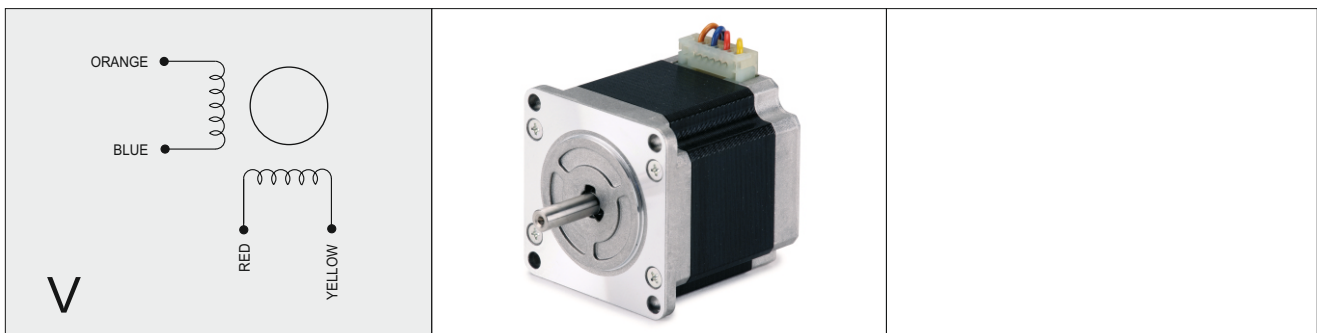
MODEL	103-H7123-5040 (103-H7123-5010)	
BASIC STEP ANGLE	$1.8^\circ \pm 0.09^\circ$	
BIPOLAR CURRENT	(Amp)	2.0
UNIPOLAR CURRENT	(Amp)	
RESISTANCE	(Ohm)	0.8
INDUCTANCE	(mH)	3.8
BIPOLAR HOLDING TORQUE	(Ncm)	85
UNIPOLAR HOLDING TORQUE	(Ncm)	
ROTOR INERTIA	(Kg $m^2 \times 10^{-7}$ )	210
THEORETICAL ACCELERATION	(rad x sec. $^{-2}$ )	38500
BACK E.M.F.	(V/Krpm)	31
MASS	(Kg)	0.65
LEADS CODE	V	

Codes between brackets refer to double shaft models.

## TORQUE/SPEED CURVE



R.T.A. s.r.l. PAVIA (ITALY) SANYO DENKI CO., Ltd (JAPAN)



Suggested R.T.A. drive series: BSD, CSD, NDC, ADW, HGD, FLEX-DRIVE



R.T.A. s.r.l.  
Via E. Mattei - Fraz- Divisa  
27020 Marcignago (PV) (Italy)  
T +39.0382.929.855  
F +39.0382.929.150  
www.rta.it

R.T.A. Deutschland GmbH  
Bublitzter Strasse 34, 40599  
Duesseldorf (Germany)  
T +49.211.749.668.60  
F +49.211.749.668.66  
www.rta-deutschland.de

R.T.A. IBERICA  
C/Generalitat 22, Local 1  
08850 Gava - Barcelona (Spain)  
T +34 936.388.805  
F +34 936.334.595  
www.rta-iberica.es

R.T.A. INDIA Pvt  
Teerth Business Center 3<sup>rd</sup> Floor, Unit No. 7,  
Block EL-15, MIDC Bhosari Pimpri-Chinchwd,  
Pune 411026 (India)  
Tel. +91 9422507445  
www.rta-india.in