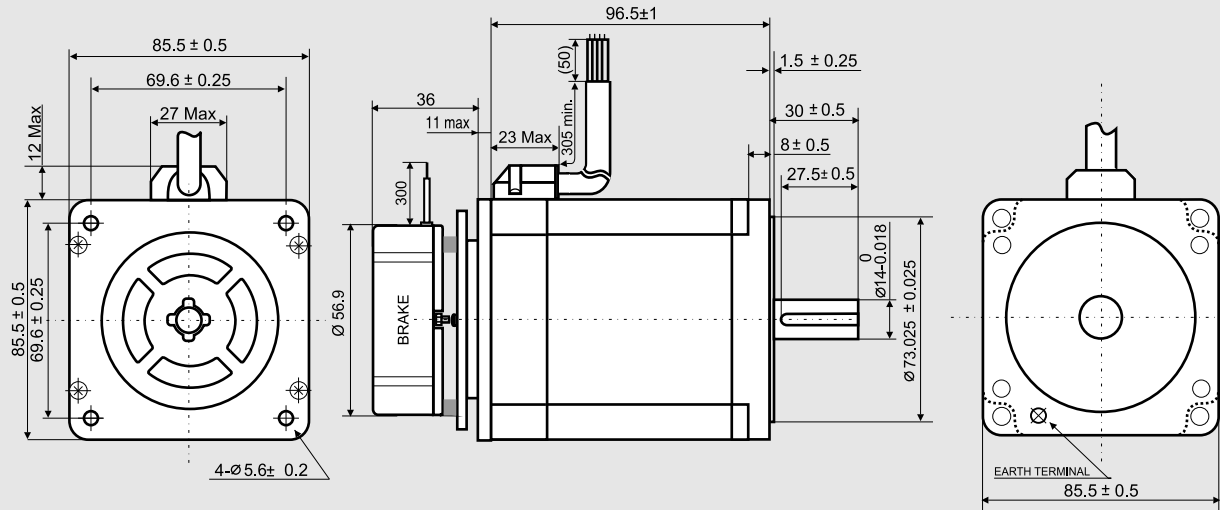


# SM 2862-5225.B

## Dimensions (Unit:mm)



## SANYO DENKI MOTOR FEATURES

MODEL	SM 2862-5225.B	
SANYO DENKI MOTOR CODE	SM 2862-5225	
BASIC STEP ANGLE	1.8° ± 0.09°	
BIPOLAR PARALLEL CURRENT	(Amp)	6.0
RESISTANCE	(Ohm)	0.36
INDUCTANCE	(mH)	2.8
BIPOLAR HOLDING TORQUE	(Ncm)	700
ROTOR INERTIA	(Kg <sup>m</sup> × 10 <sup>-7</sup> )	3000
THEORETICAL ACCELERATION	(rad × sec. <sup>-2</sup> )	23300
BACK E.M.F.	(V/Krpm)	120
MASS	(Kg)	3.4
INTERNATIONAL STANDARDS	UL, CSA	
INSULATION VOLTAGE	(V)	250 VAC (350 VDC)
PROTECTION DEGREE - INSULATION CLASS	IP43 - F	
LEADS CODE	V	

R.T.A. - s.r.l. PAVIA (ITALY) SANYO DENKI CO., Ltd (JAPAN)

## BRAKE FEATURES

STATIC TORQUE	(Nm)	3.3
DUTY CYCLE		50% max.
VOLTAGE	(Volt)	24 VDC
POWER	(W)	11
RELEASE TIME	(ms)	300



Ed. 2 Allegato EIMC - 10 - 14



**CAUTION**

Use for safety related functions is forbidden (EN 60204-1). Moreover, when the application arrangement is in such way that a motor fault or failure could generate a risk for property or human life, external independent safety protection system must be provided in the machine.

