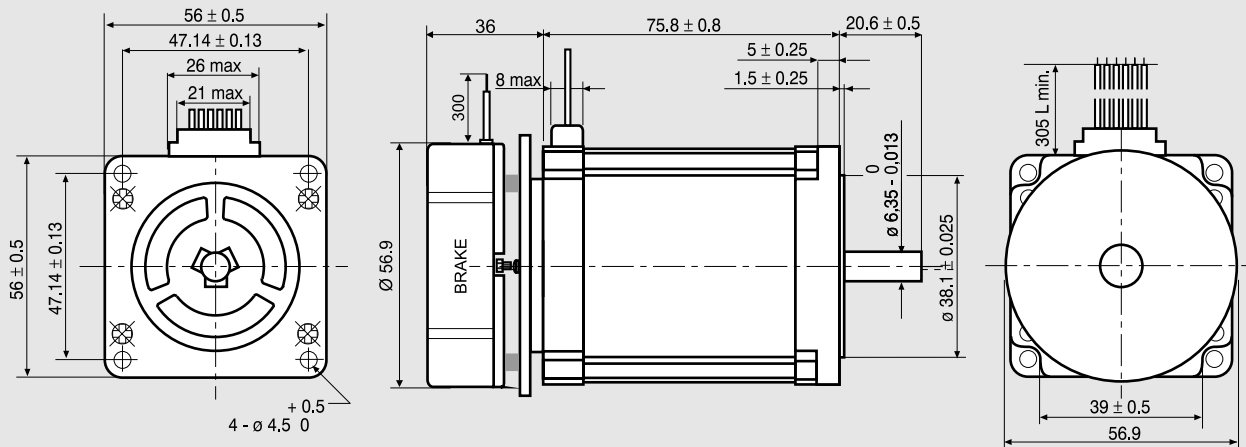


# 103-H7126-1710.B

## Dimensions (Unit:mm)



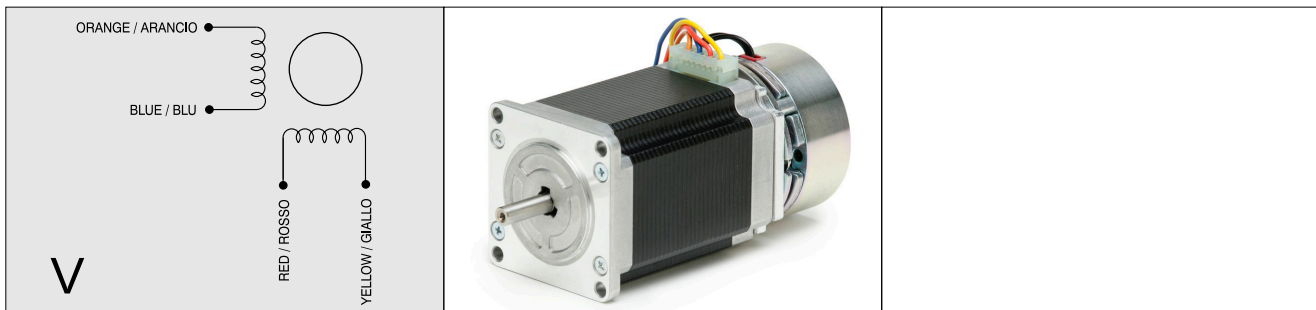
## SANYO DENKI MOTOR FEATURES

MODEL	103-H7126-1710.B	
SANYO DENKI MOTOR CODE	103-H7126-1710	
BASIC STEP ANGLE	$1.8^\circ \pm 0.09^\circ$	
BIPOLAR PARALLEL CURRENT	(Amp)	4.0
UNIPOLAR PARALLEL CURRENT	(Amp)	4.0
RESISTANCE	(Ohm)	0.48
INDUCTANCE	(mH)	2.2
BIPOLAR HOLDING TORQUE	(Ncm)	165
UNIPOLAR HOLDING TORQUE	(Ncm)	165
ROTOR INERTIA	(Kg $m^2 \times 10^{-7}$ )	360
THEORETICAL ACCELERATION	(rad $\times \text{sec.}^{-2}$ )	45800
BACK E.M.F.	(V/Krpm)	31
MASS	(Kg)	1.5
LEADS CODE	V	

R.T.A. - s.r.l. PAVIA (ITALY) SANYO DENKI CO.,Ltd (JAPAN)

## BRAKE FEATURES

STATIC TORQUE	(Nm)	3.3
DUTY CYCLE		50% max.
VOLTAGE	(Volt)	24 VDC
POWER	(W)	11
RELEASE TIME	(ms)	300



Ed. 2 Allegato EIMC - 10 - 14



**CAUTION**

Use for safety related functions is forbidden (EN 60204-1). Moreover, when the application arrangement is in such way that a motor fault or failure could generate a risk for property or human life, external independent safety protection system must be provided in the machine.

