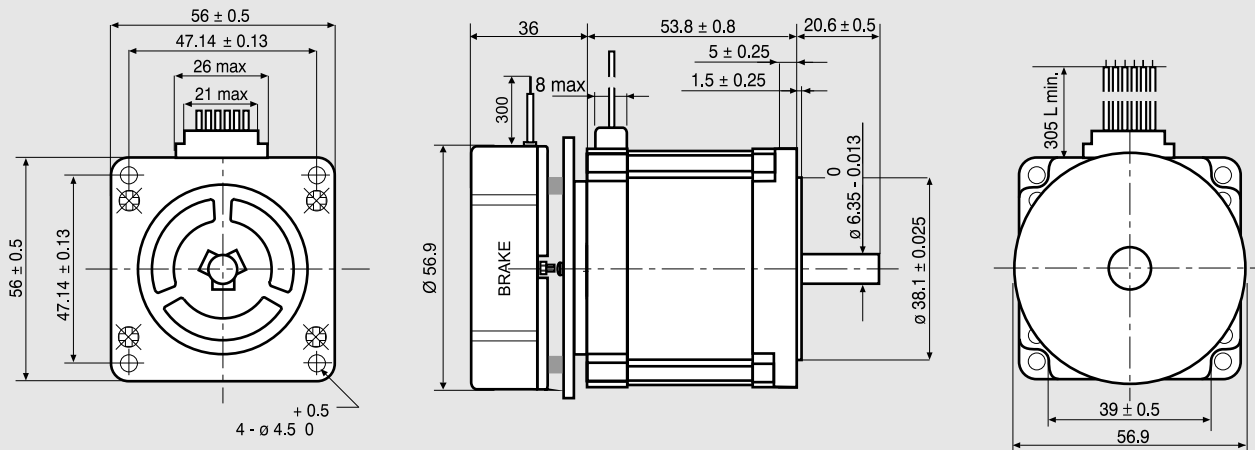


# 103-H7123-0710.B

## Dimensions (Unit:mm)



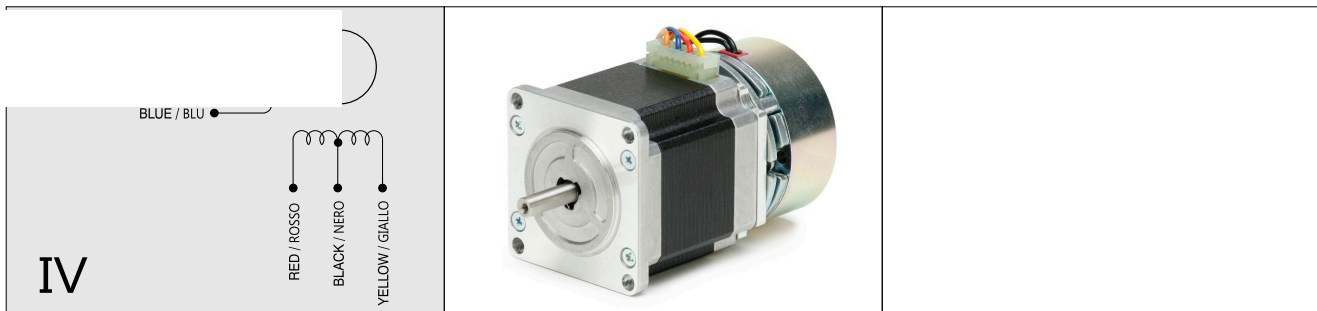
## SANYO DENKI MOTOR FEATURES

MODEL	103-H7123-0710.B	
SANYO DENKI MOTOR CODE	103-H7123-0710	
BASIC STEP ANGLE	$1.8^\circ \pm 0.09^\circ$	
BIPOLAR PARALLEL CURRENT	(Amp)	2.2*
UNIPOLAR PARALLEL CURRENT	(Amp)	3.0
RESISTANCE	(Ohm)	0.77
INDUCTANCE	(mH)	1.6
BIPOLAR HOLDING TORQUE	(Ncm)	110
UNIPOLAR HOLDING TORQUE	(Ncm)	85
ROTOR INERTIA	( $\text{Kg} \cdot \text{m}^2 \times 10^{-7}$ )	210
THEORETICAL ACCELERATION	( $\text{rad} \times \text{sec.}^{-2}$ )	50000
BACK E.M.F.	(V/Krpm)	20
MASS	(Kg)	1.15
LEADS CODE	IV	

(\*) Bipolar series connection.  
 (\*\*) Collegamento bipolare serie.

## BRAKE FEATURES

STATIC TORQUE	(Nm)	3.3
DUTY CYCLE		50% max.
VOLTAGE	(Volt)	24 VDC
POWER	(W)	11
RELEASE TIME	(ms)	300



SANYO DENKI CO., Ltd (JAPAN)

R.T.A. - s.r.l. PAVIA (ITALY)

Ed. 1 Allegato EIMC - 10 - 14



CAUTION

Use for safety related functions is forbidden (EN 60204-1). Moreover, when the application arrangement is in such way that a motor fault or failure could generate a risk for property or human life, external independent safety protection system must be provided in the machine.

